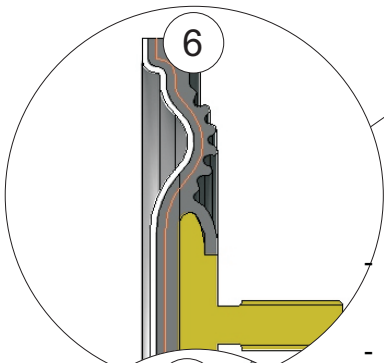
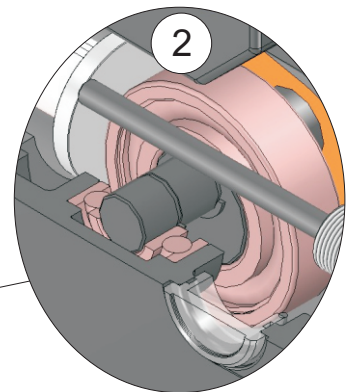
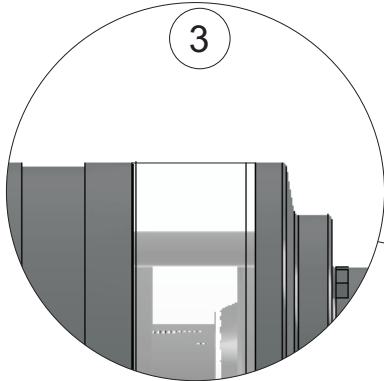
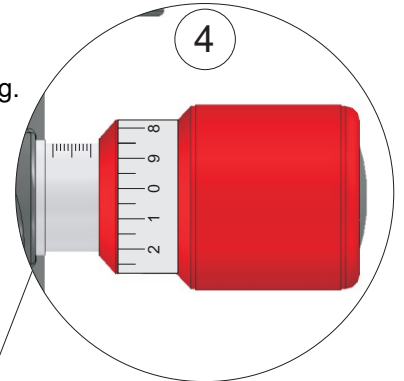
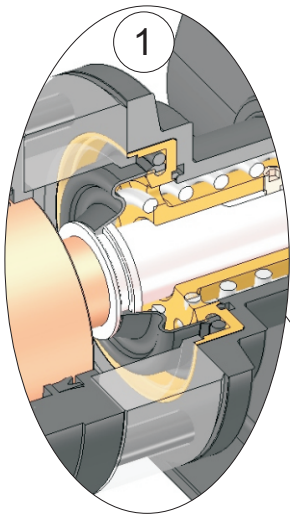
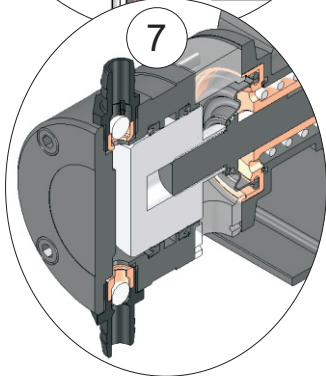


### ADVANTAGES:

1. Gear box sealed by bellows
2. Minimum wearout. Big diameter bearings.
3. Transparent separator for visual functioning checking.
4. Micrometric regulation.
5. Visualizador of the level of oil.
6. Dosing by means of diaphragm
7. Dosing by means of piston.
8. 1/2" connector for drainage, working with a piston.
9. Self-contained with support



- High resistance PTFE diaphragm, reinforced by NBR and metallic fiber nucleus
- Easy maintenance



- 99.5% Corindon's ceramic piston.
- High hardness and chemical resistance.
- Extremely low ruggedness.
- Long life seals.

