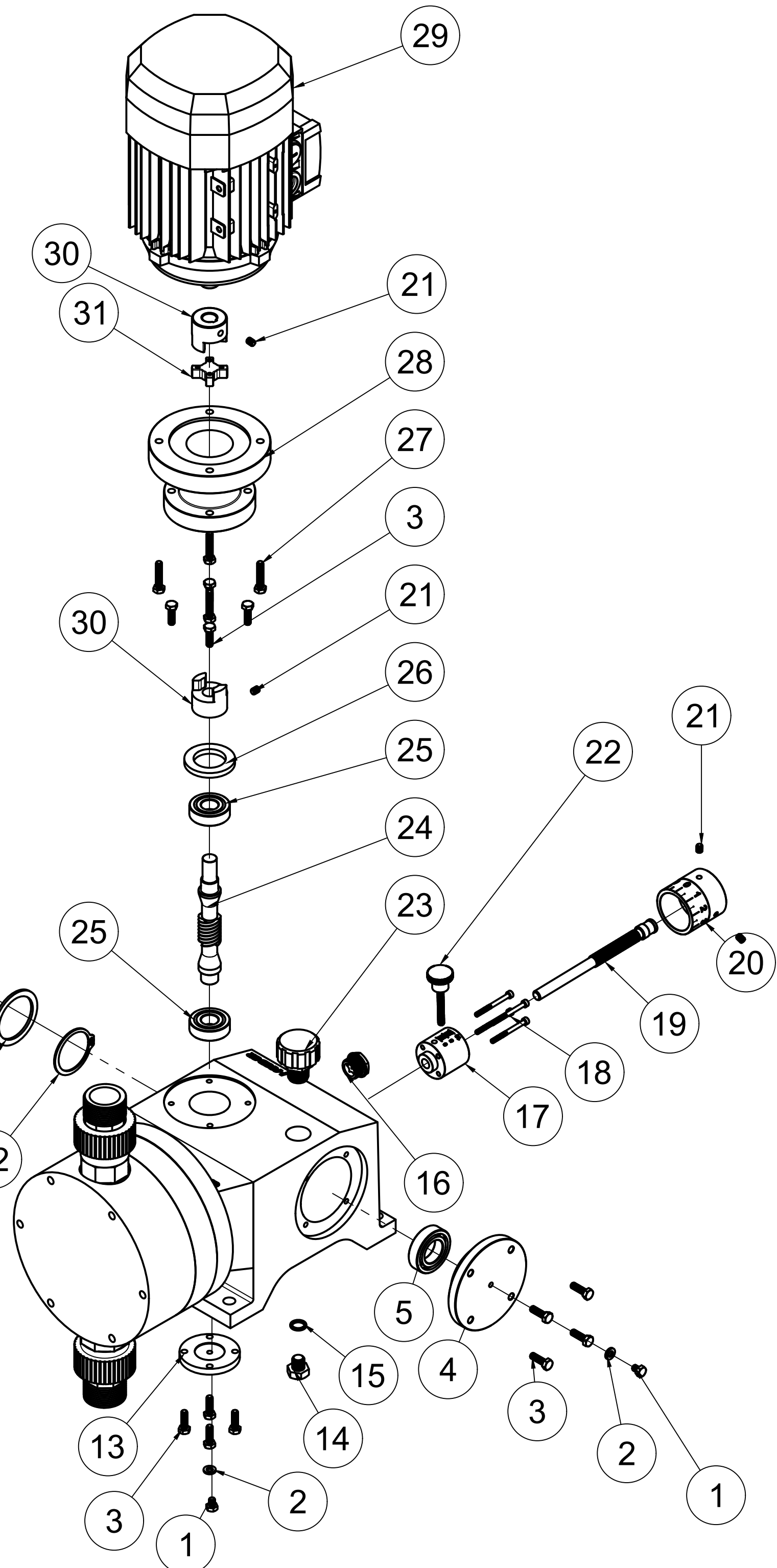
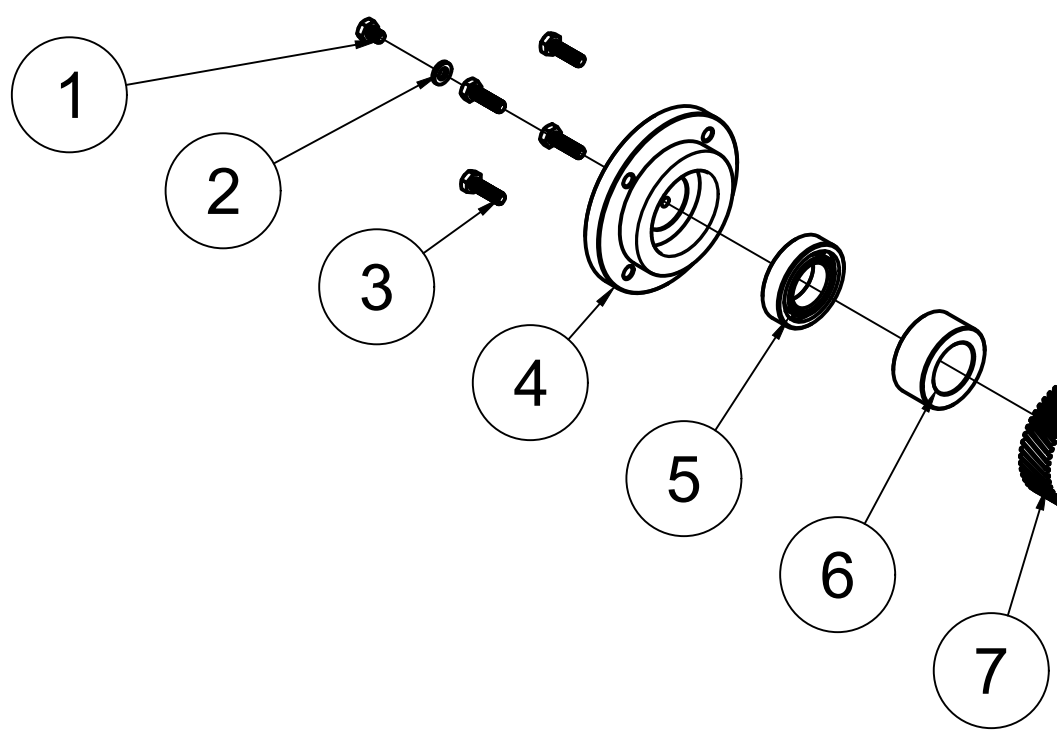


PARTS LIST				
ITEM	QTY	PART NUMBER	PART NAME	DESCRIPTION
1	3	K-34	BOLT M6:8	BOLT M6 X 8 STAINLESS STEEL
2	3	K-37	COPPER WASHER	COPPER WASHER M6
3	16	K-33	BOLT M6:20	BOLT M6 X 20 MM STAINLESS STEEL
4	2	K-14	BEARING CAP MXD	BEARING CAP MXD GEARBOX
5	2	K-44	BEARING MAIN SHAFT	6005 BEARING MAIN SHAFT
6	1	K-29	MAIN SHAFT SPACER	MAIN SHAFT SPACER
7	1	K-22A	WORM GEAR	MAIN DRIVE GEAR
8	1	K-26	MAIN SHAFT	ECCENTRIC CAM MAIN SHAFT
9	1	K-27	ECCENTRIC BEARING BUSH	ECCENTRIC CAM ROLLER BEARING BUSH
10	1	K-31	ECCENTRIC BEARING	ECCENTRIC CAM ROLLER BEARING
11	1	K-28	ECCENTRIC CAM RETAINING RING	ECCENTRIC CAM BEARING RETAINING RING
12	1	K-30	ECCENTRIC CAM CIRCLIP	MAIN SHAFT BEARING CIRCLIP 40,5
13	1	K-41	BOTTOM CAP	BOTTOM RETAINING CAP STEEL
14	1	K-19	OIL DRAIN PLUG	OIL DRAINING PLUG M12
15	1	K-19A	OIL DRAIN WASHER	OIL DRAIN COPPER WASHER M12
16	1	K-21	LEVEL INDICATOR	HYDRAULIC PLUG LEVEL INDICATOR 1/2 "
17	1	K-47	ADJUSTMENT COARSE	ADJUSTMENT HOLDER COARSE
18	4	K-36	CAPSCREW M4:45	CAPSCREW M4 X 45 STAINLESS STEEL
19	1	K-48	ADJUSTMENT SHAFT	ADJUSTMENT SHAFT
20	1	K-49	ADJUSTMENT CONTROL	NUMERICAL ADJUSTMENT CONTROL



PARTS LIST				
ITEM	QTY	PART NUMBER	PART NAME	DESCRIPTION
21	4	K-45	GRUBSCREW M6:8	GRUBSCREW M6 X 8 STAINLESS STEEL
22	1	K-52	SETSCREW M6:45	STAINLESS SETSCREW M6X50
23	1	K-20	OIL BREATHER CAP	HYDRAULIC BREATHER CAP 1/2"
24	1	K-22	WORM SHAFT	WORM GEAR SHAFT
25	2	K-42	BEARING WORM SHAFT	6203 BEARING WORM SHAFT
26	1	K-12	RETAINER	STAINLESS STEEL RETAINER 32555
27	4	K-53	BOLT M6:35	BOLT M6 X 35 STAINLESS STEEL
28	1	K-40	MOTOR FLANGE	MOTOR FLANGE STEEL 71:80
29	1	MF-AC380	AC ELECTRIC MOTOR	ELECTRIC MOTOR 380V B34
30	2	K-38	DRIVE COUPLING	SPIDER COUPLING LO70
31	1	K-37	LO70 COUPLING RUBBER	SPIDER COUPLING RUBBER LO70
32	2	K-01	1ST JOINT 1 1/4"	1ST JOINT 1 1/4" PP
33	1	K-10A	BACKING RING	BACKING RING PP
34	1	K-23	MAIN FLANGE	MAIN FLANGE LARGE
35	1	K-10	LARGE PUMP HEAD 190	LARGE PUMP HEAD PP 190 MM
36	1	MX-GB	MXD GEARBOX	MXD GEARBOX
37	2	K-02	VALVE	MAIN VALVE 1 1/4"
38	2	K-07	UNION NUT	UNION NUT PP 1 1/4"